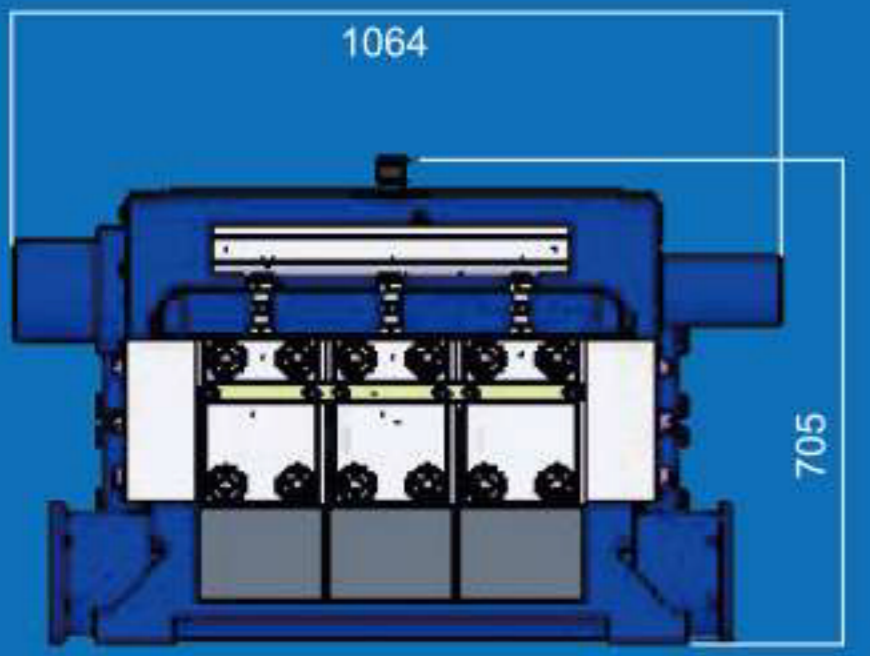
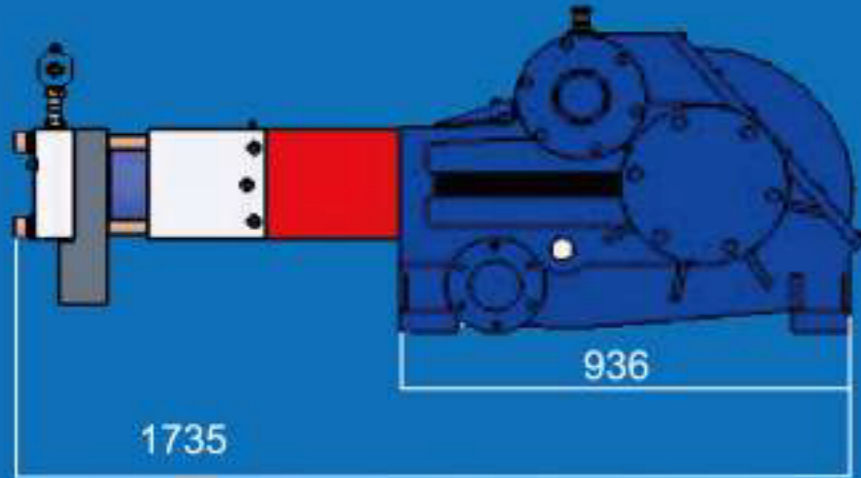
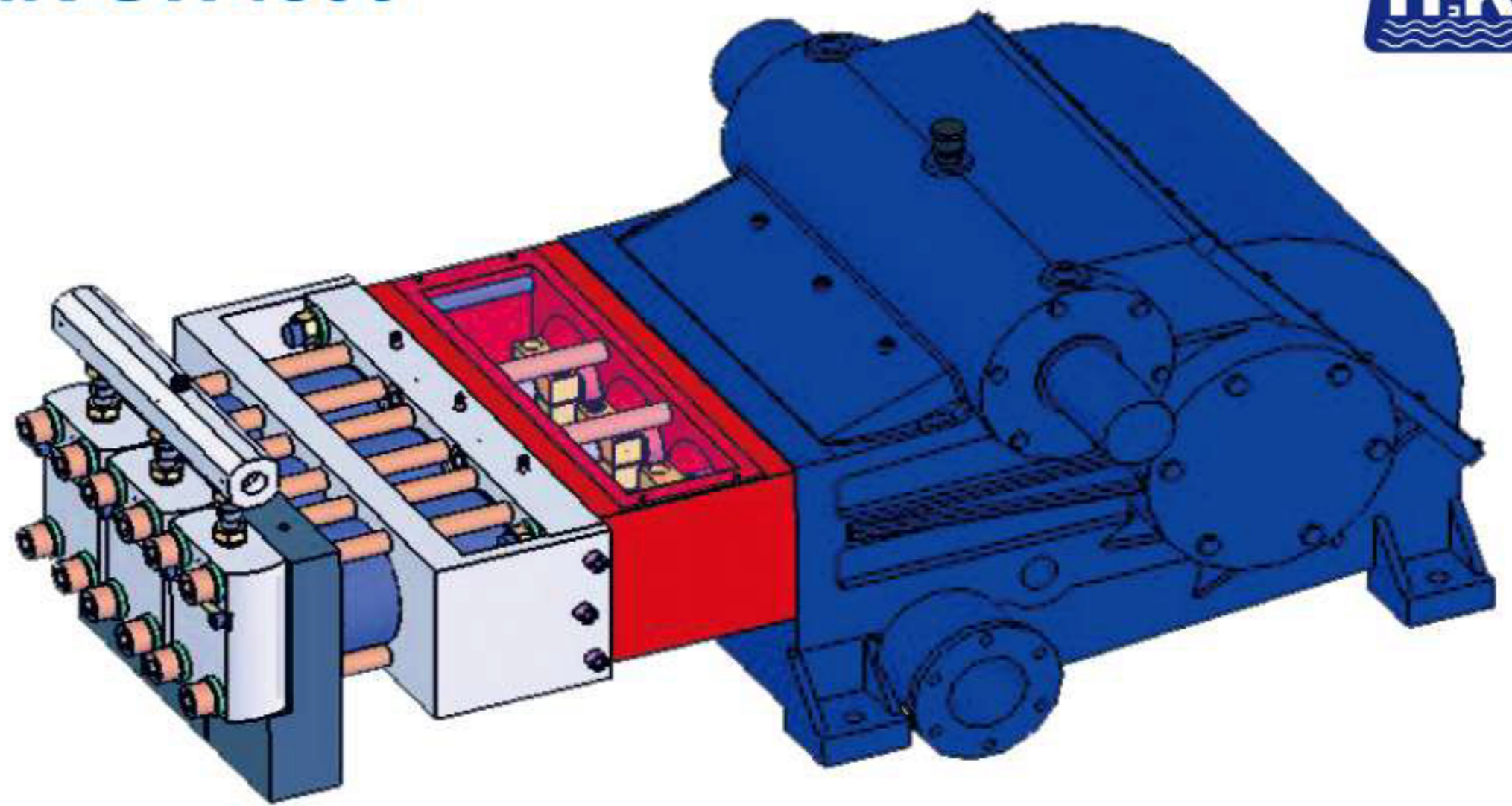
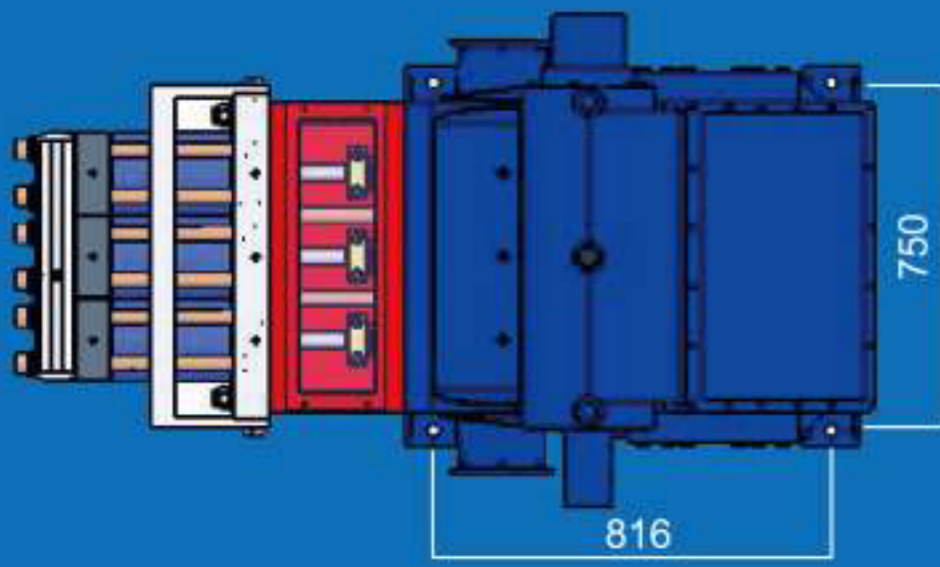
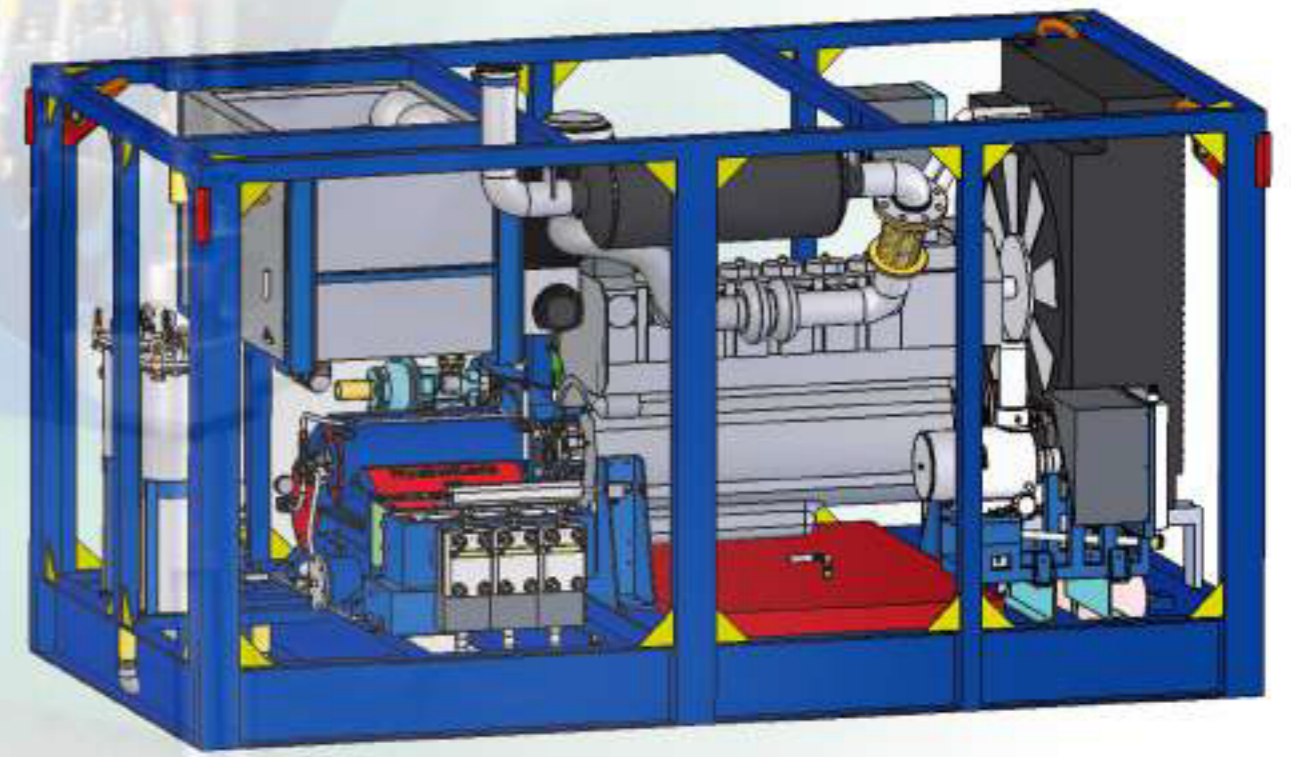


U.H.P HK-SW4500



(m/m)



| PLUNGER | WATER FLOW | PRESSURE (BAR) | | | | | | | | | | | | | | POWER |
|---------|------------|----------------|-------|------|------|------|------|------|------|------|------|------|------|------|------|-------|
| | | mm | L/min | 1000 | 1100 | 1200 | 1300 | 1400 | 1500 | 1600 | 1700 | 1800 | 1900 | 2000 | 2200 | |
| 25 | 66.8 | 176 | 193 | 211 | 229 | 246 | 264 | 281 | 299 | 316 | 334 | 352 | 384 | 439 | 475 | HP |
| 28 | 83.8 | 221 | 243 | 265 | 287 | 309 | 330 | 352 | 375 | 397 | 419 | 441 | 485 | 551 | 595 | HP |
| 30 | 96 | 253 | 278 | 303 | 328 | 354 | 379 | 404 | 429 | 455 | 480 | 505 | 556 | 632 | | HP |
| 32 | 109 | 287 | 316 | 344 | 373 | 402 | 430 | 459 | 488 | 516 | 545 | 574 | 631 | | | HP |
| 35 | 131 | 345 | 379 | 414 | 448 | 483 | 517 | 552 | 586 | 620 | | | | | | HP |
| 40 | 171 | 450 | 495 | 540 | 585 | 630 | | | | | | | | | | HP |
| 45 | 216 | 568 | 625 | | | | | | | | | | | | | HP |

MAX INPUT RPM 1480

i=4.148

PUMP 324RPM

MAX POWER:600HP

MAX INPUT RPM 1800

i=4.56

PUMP 395RPM

STROKE:140mm

MAX INPUT RPM 1800

i=5.04

PUMP 446RPM

WATER FLOW & POWER INCREASE 1.219%

入水口 INLET:3"

出水口

OUTLET:M36*2.0

重量 WEIGHT 2000Kgs