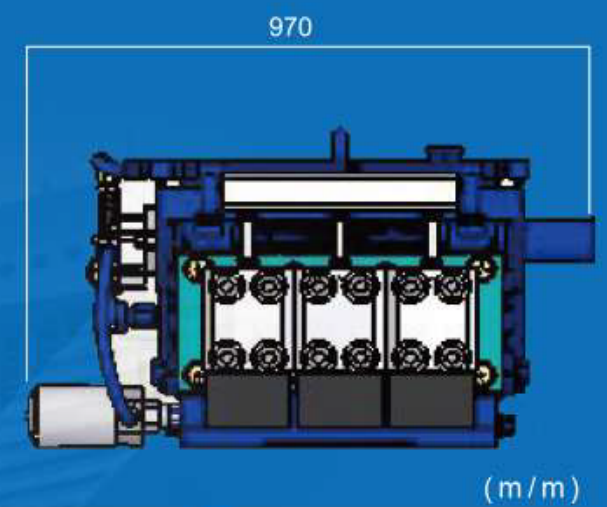
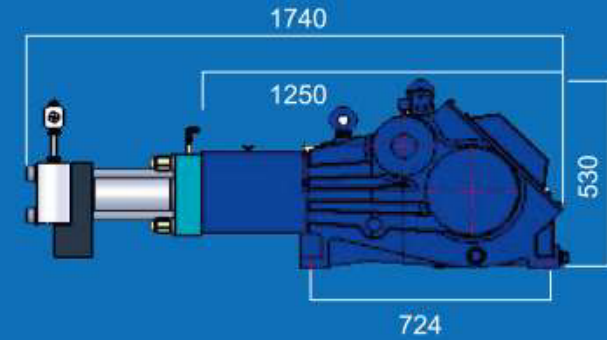
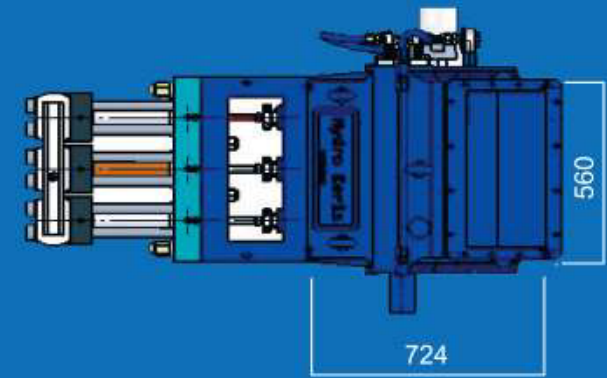
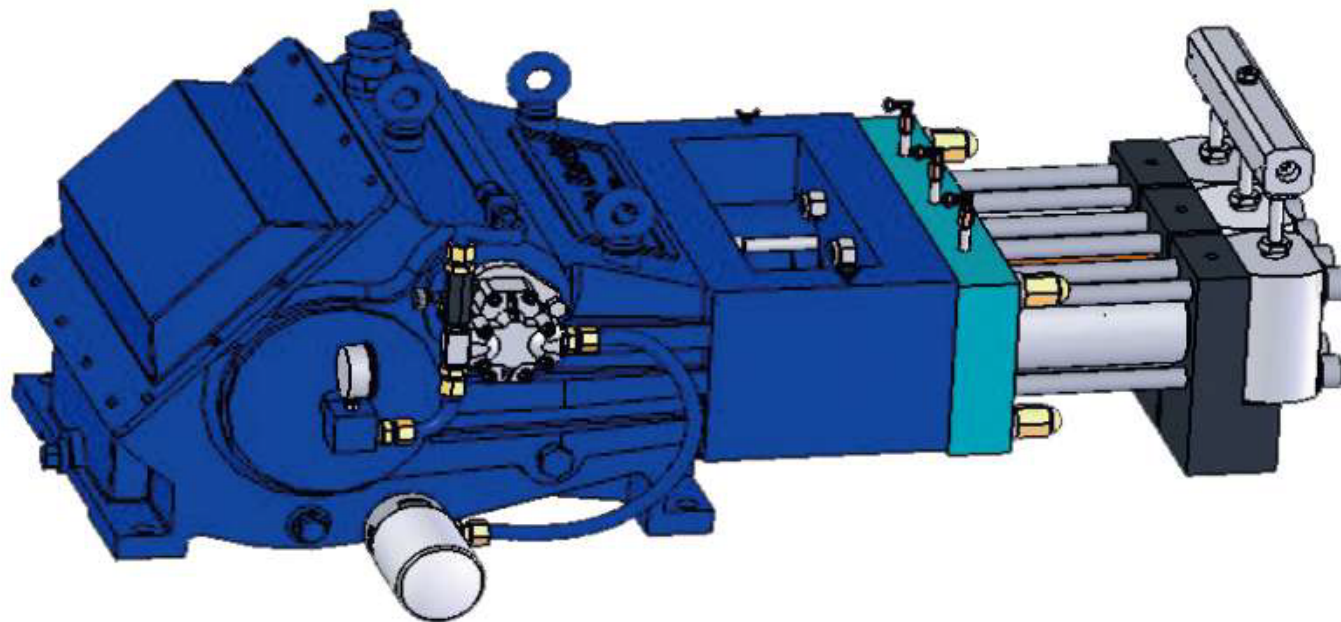




U.H.P HK-SW3250



PLUNGER	WATER FLOW	PRESSURE (BAR)														POWER
		mm	L/min	1000	1100	1200	1300	1400	1500	1600	1700	1800	1900	2000	2200	
3/4"	43	113	125	136	147	158	170	181	193	204	215	226	249	283	306	HP
7/8"	59	155	171	186	202	218	233	249	264	280	295	310				HP
1"	70	185	203	221	240	258	276	295	313	332						HP
1 1/8"	80	210	230	253	274	295	316	337								HP

MAX INPUT RPM 1480 i=4.619 PUMP 366RPM MAX POWER:335HP

MAX INPUT RPM 1800 i=4.92 PUMP 366RPM STROKE:130mm

MAX INPUT RPM 1800 i=4.04 PUMP 446RPM WATER FLOW & POWER INCREASE 1.219%

入水口 INLET:1"×3 or 2"×1 出水口 OUTLET:CW 9/16"-18UNF 重量 WEIGHT 1000Kgs

SW3250