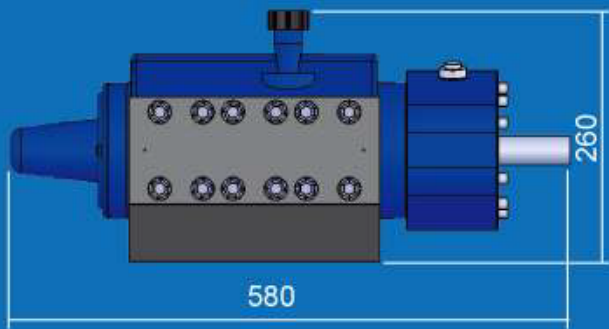
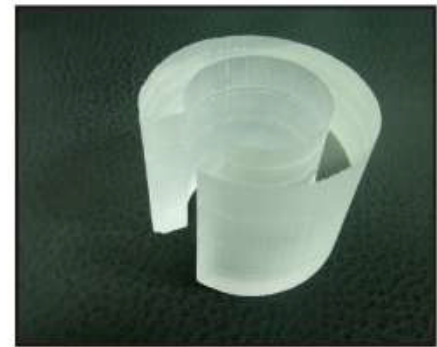
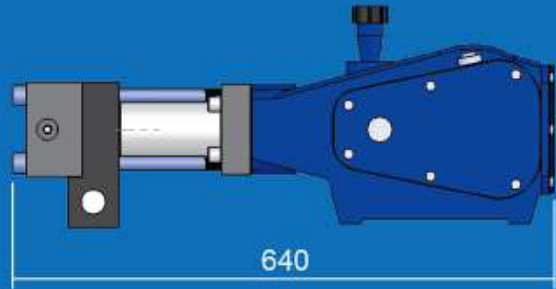
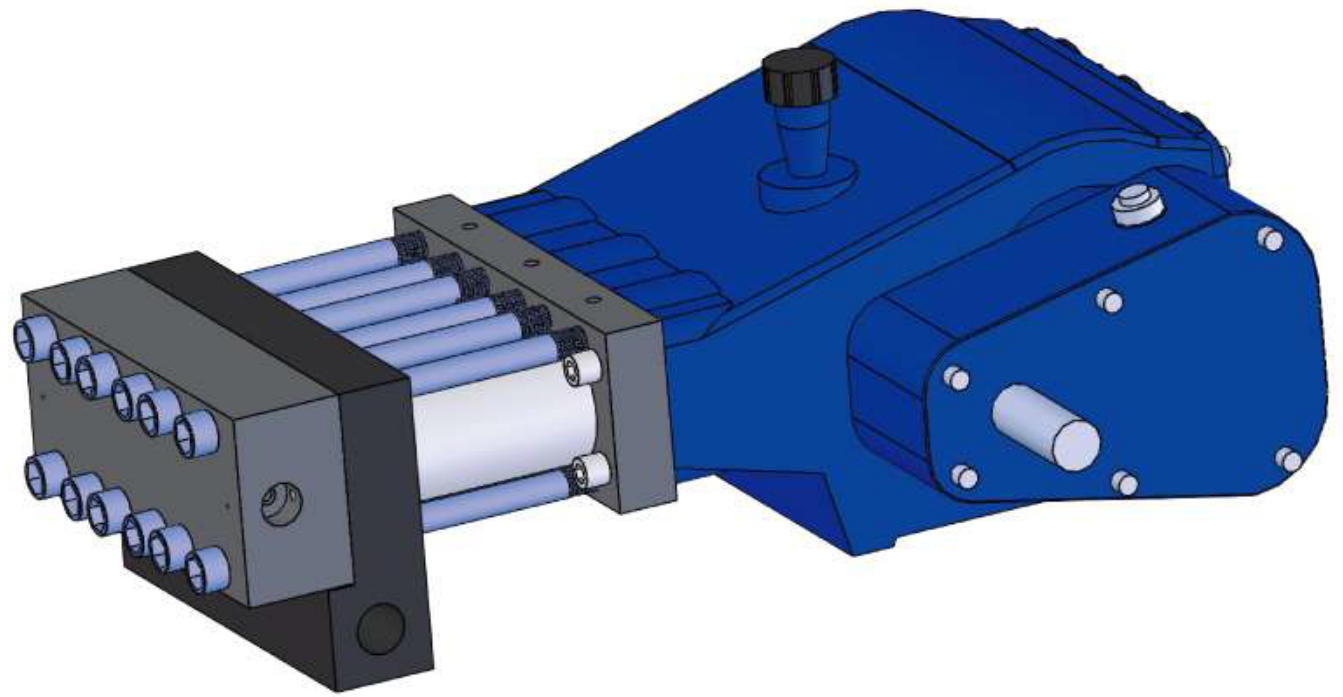
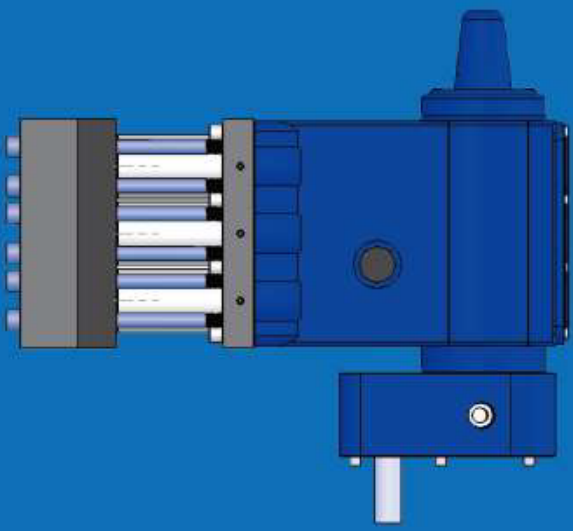


# U.H.P HK-SW3037 (EL)



(m/m)



PLUNGER	WATER FLOW	PRESSURE (BAR)														POWER	
		mm	L/min	1000	1100	1200	1300	1400	1500	1600	1700	1800	1900	2000	2200		2500
1/2"	8.7	23	25	27	30	32	34	37	39	41	44	46	50	57			HP
9/16"	11	30	32	35	38	41	43	46	49	52							HP
5/8"	13.6	36	39	43	47	50											HP
3/4"	19.6	52	57														HP
1/2"	5	only for cutting														40	HP

MAX INPUT RPM 1480    i=3.65    PUMP 410RPM    MAX POWER:50HP  
 MAX INPUT RPM 1800    i=4.39    PUMP 410RPM    STROKE:60mm  
 入水口 INLET:1"    出水口 OUTLET:CW 9/16"-18UNF    重量 WEIGHT 280Kgs  
 WITHOUT GEARBOX MAX INPUT RPM 1000

HK-SW3037