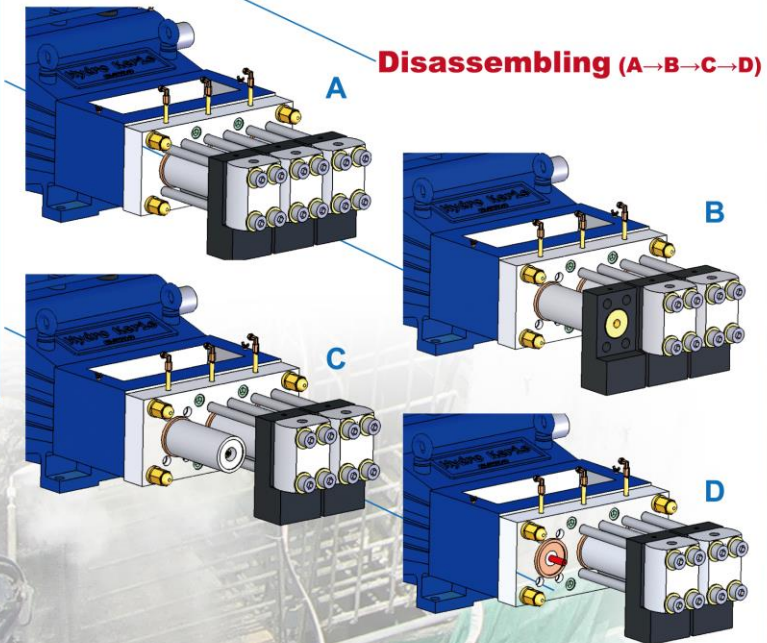
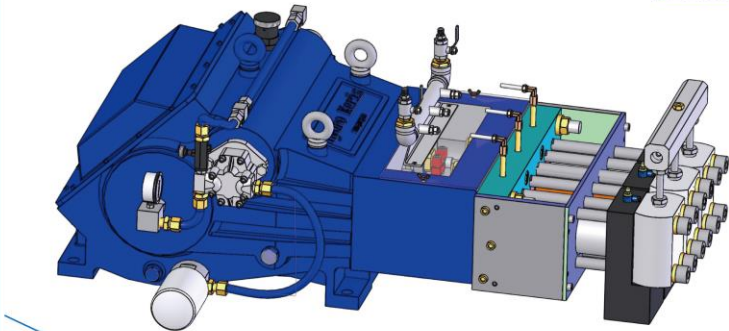
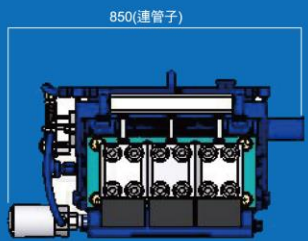
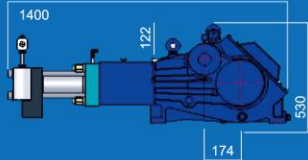
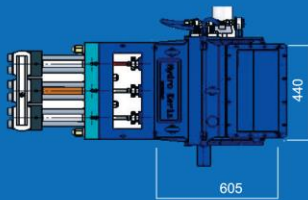


U.H.P HK-SW3160



HK-SW3160

PLUNGER	WATER FLOW	PRESSURE (BAR)														POWER
		1000	1100	1200	1300	1400	1500	1600	1700	1800	1900	2000	2200	2500	2700	
5/8"	L/min 26	68	75	82	89	96	103	109	116	123	130	137	150	171	185	HP
3/4"	37.6	99	109	119	129	139	148	158	168	178	188	198	218			HP
7/8"	50	132	145	158	171	184	197	211	224							HP
1"	66.7	176	193	211	228											HP

MAX INPUT RPM 1480 i=4.04 PUMP 366RPM MAX POWER:220HP
MAX INPUT RPM 1800 i=4.92 PUMP 366RPM STROKE:120mm
MAX INPUT RPM 1800 i=4.04 PUMP 446RPM WATER FLOW & POWER INCREASE 1.219%
 入水口 INLET:1"×3 出水口 OUTLET:CW 9/16"-18UNF 重量 WEIGHT 950Kgs